

MS-SPX III

100 μ l / 250 μ l / 500 μ l / 1000 μ l



Original seal technique realizes high accuracy and endurance!

Patented in JAPAN & CHINA

High Accuracy

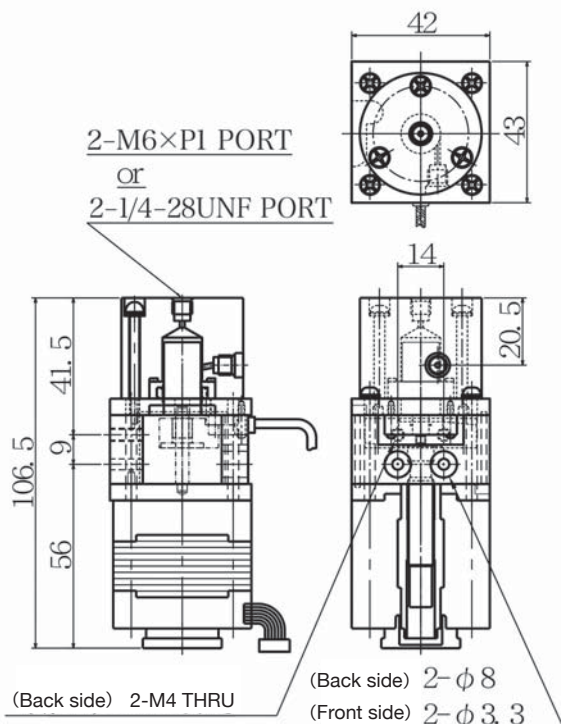
Accuracy : below $\pm 0.5\%$, Repeatability : below $0.04\%^*$

Ultra Compact

W42 X D43 X H106.5 (mm)

*By 100% aspiration and backlash compensation, volume: 1ml

■ Dimensions (common size)



■ Specification

Co. No.	MS-SPX III 2000-100 μ l	MS-SPX III 2000-250 μ l	MS-SPX III 2000-500 μ l	MS-SPX III 2000-1ml
Volume	100 μ l	250 μ l	500 μ l	1ml
Resolution	pulse/stroke	2000		
	μ l/pulse	0.05	0.125	0.25
	mm/pulse	0.005mm/pulse		
Speed	sec./stroke	About 1 sec. (by 100% aspiration)		
Wetted material	Cylinder	Acrylic (Special type: PEEK)		
	Sealing	PE		
	Piston	Borosilicate glass		
Material of body	Aluminum, SUS304 (except for motor part)			
Connecting port screw	M6×P1 or 1/4-28UNF			
Usable fluid	DI water (Special type: acid, weak alkali, organic solvent)			
Pressure resistance	0.5MPa (2 minutes) $\Delta P < 0.005$ MPa			
Endurance	More than 2,000,000 times (DI water, at normal temperature, no pressure)			
Accuracy*	below $\pm 0.5\%$			
Repeatability(CV)*	below 0.1%	below 0.08%	below 0.06%	below 0.04%
Motor specification	Unipolar, 2 phase, 1.8 degree stepper motor (4.0VDC, 3.3 Ω , 1.2A, 4.3mH) / phase			
Origin sensor specification	Photomicrosensor (Source voltage DC5V to 24V) Standard equipment of 2 independent outputs ON at detection of plunger origin point or at non detection			

*By full aspiration and backlash compensation

◆ Product specifications are subject to change without prior notice for improvement.



Contact Japan: 3800-16, Obuchi, Fuji, Shizuoka, 417-0801 JAPAN
 Email: info@exmire.com URL: <http://www.ito-ex.co.jp/en/>
 Contact China: 中国北京市朝阳区霄云路32号2号楼707室
 Email: chai@exmire.com URL: <http://www.ito-ex.co.jp/zh/>

