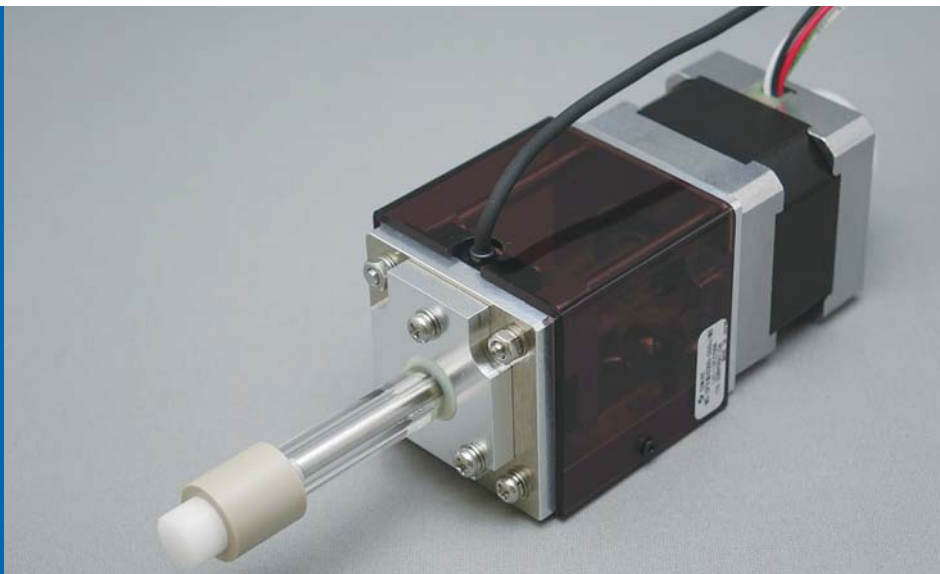


MS-SPV III

100 μ l / 250 μ l / 500 μ l / 1000 μ l



Technology intensive product from reliable ITO brand !

High Accuracy

Accuracy : below $\pm 0.3\%$, Repeatability : below $0.03\%^*$

High Resolution

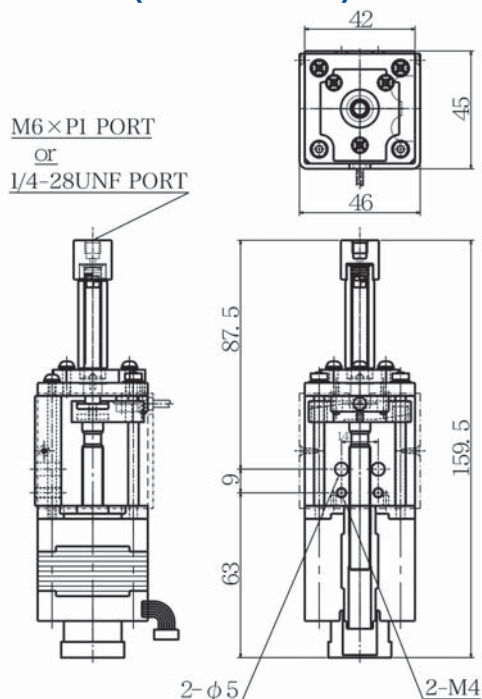
6000 steps/stroke

Chemical Resistance

Cylinder : borosilicate glass

*By 100% aspiration and backlash compensation, volume : 1ml

■ Dimensions (common size)



■ Specification

Co. No.	MS-SPV III 6000-100 μ l	MS-SPV III 6000-250 μ l	MS-SPV III 6000-500 μ l	MS-SPV III 6000-1ml
Volume	100 μ l	250 μ l	500 μ l	1ml
Resolution	pulse/stroke	6000		
	μ l/pulse	0.01667	0.04167	0.08333
	mm/pulse	0.005mm/pulse		
Speed	sec.	About 2 sec.(by 100% aspiration)		
Wetted material	Head	PEEK		
	Cylinder	Borosilicate glass		
	Tip	PE		
Material of body	Aluminum, SUS304 (except for motor)			
Connecting port screw	M6×P1 or 1/4-28UNF			
Usable fluid	DI water, Acid, Weak alkali, Organic solvent			
Pressure resistance	0.5MPa (2 minutes) $\Delta P < 0.005$ MPa			
Endurance	More than 1,000,000 times (DI water, at normal temperature, no pressure)			
Accuracy*	below $\pm 0.3\%$			
Repeatability (CV)*	below 0.09%	below 0.07%	below 0.05%	below 0.03%
Motor specification	Unipolar, 2 phase, 1.8 degree stepper motor (4.0VDC 3.3 Ω 1.2A 4.3mH) / phase			
Origin sensor specification	Photomicrosensor (source voltage DC5V to 24V) Standard equipment of 2 independent outputs ON at detection of plunger origin point or at non detection			

*By 100% aspiration and backlash compensation

◆ Product specifications are subject to change without prior notice for improvement.



Contact Japan: 3800-16, Obuchi, Fuji, Shizuoka, 417-0801 JAPAN
Email: info@exmire.com URL: <http://www.ito-ex.co.jp/en/>
Contact China: 中国北京市朝阳区霄云路32号2号楼707室
Email: chai@exmire.com URL: <http://www.ito-ex.co.jp/zh/>

